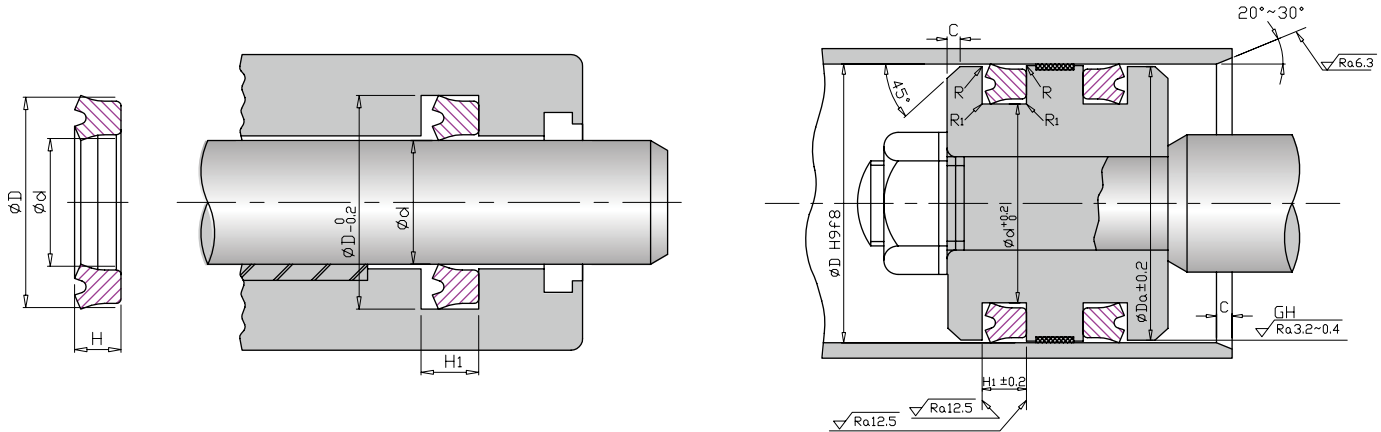
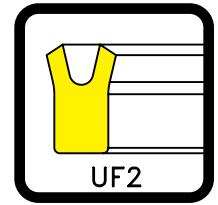


UF2 Series

TPU Symmetrical Piston & Rod U-Cup Seal



ESTER TPU 95 PHYSICAL PROPERTIES

Working Pressure: ≤ 35 Mpa	Hardness	95 Shore A	DIN53505
Working Temperature: $-35^\circ\text{C} \sim +80^\circ\text{C}$		95 Shore A	ASTM D2240
Surface Speed: ≤ 0.8 m/s	Tensile Strength	50 Mpa	DIN53504
Media: Mineral Oil		7252 psi	ASTM D-412
Abrasion Resistance	35mm ³	DIN53516	Elongation
Compression Set	30%	DIN53517	515 %
24 hrs @ 100 °C	30%	ASTM D-395	515 %
Specific gravity	1.18 g/cm ³	DIN53479	Tear Strength
	1.18 g/cm ³	ASTM D-972	140 N/mm
			799 pli
			Standard Compound
			KC9502AN / KC9502BL
			Color
			Gray ● / Dark Blue ●

CODE	d (mm)	D (mm)	H	H1	Da
UF20001	6.3	16.3	8.0	9.0	15.3
UF20002	7.1	17.1	8.0	9.0	16.1
UF20003	8.0	18.0	8.0	9.0	17.0
UF20004	9.0	19.0	8.0	9.0	18.0
UF20005	10.0	20.0	8.0	9.0	19.0
UF20006	11.2	21.2	8.0	9.0	20.2
UF20007	12.0	25.0	8.0	9.0	24.0
UF20008	12.5	22.5	8.0	9.0	21.5
UF20009	14.0	24.0	8.0	9.0	23.0
UF20010	15.0	25.0	8.0	9.0	24.0
UF20011	16.0	26.0	8.0	9.0	25.0
UF20012	16.0	32.0	10.0	11.0	31.0
UF20013	18.0	28.0	8.0	9.0	27.0
UF20014	18.0	31.0	10.0	11.0	30.0
UF20015	20.0	30.0	8.0	9.0	29.0
UF20016	20.0	33.0	10.0	11.0	32.0

CODE	d (mm)	D (mm)	H	H1	Da
UF20017	20.0	35.0	10.0	11.0	34.0
UF20018	21.5	31.5	8.0	9.0	30.5
UF20019	22.0	32.0	8.0	9.0	31.0
UF20020	22.0	35.0	10.0	11.0	34.0
UF20021	22.4	30.0	5.0	5.7	29.0
UF20022	22.4	32.4	8.0	9.0	31.4
UF20023	25.0	35.0	8.0	9.0	34.0
UF20024	25.0	38.0	8.0	9.0	37.0
UF20025	25.0	40.0	10.0	11.0	39.0
UF20026	25.0	45.0	12.0	13.0	44.0
UF20027	25.5	35.5	8.0	9.0	34.5
UF20028	28.0	35.5	5.0	5.7	34.5
UF20029	28.0	40.0	10.0	11.0	39.0
UF20030	28.0	43.0	10.0	11.0	42.0
UF20031	30.0	45.0	10.0	11.0	44.0
UF20032	30.0	46.0	10.0	11.0	45.0

UF2 Series

TPU Symmetrical Piston & Rod U-Cup Seal

CODE	d (mm)	D (mm)	H	H1	Da
UF20033	31.5	46.5	10.0	11.0	45.5
UF20034	32.0	46.0	10.0	11.0	45.0
UF20035	35.0	50.0	10.0	11.0	49.0
UF20036	35.5	45.0	6.0	7.0	44.0
UF20037	35.5	50.5	10.0	11.0	49.5
UF20038	38.0	52.0	10.0	11.0	51.0
UF20039	40.0	55.0	10.0	11.0	54.0
UF20040	40.0	56.0	10.0	11.0	55.0
UF20041	40.0	60.0	12.0	13.0	59.0
UF20042	41.0	56.0	10.0	11.0	55.0
UF20043	45.0	56.0	7.0	8.0	55.0
UF20044	45.0	60.0	10.0	11.0	59.0
UF20045	45.0	61.0	10.0	11.0	60.0
UF20046	46.0	60.0	10.0	11.0	59.0
UF20047	48.0	63.0	10.0	11.0	62.0
UF20048	50.0	65.0	10.0	11.0	64.0
UF20049	50.0	66.0	12.0	13.0	65.0
UF20050	50.0	70.0	12.0	13.0	69.0
UF20051	51.0	71.0	12.0	13.0	70.0
UF20052	53.0	73.0	12.0	13.0	72.0
UF20053	55.0	71.0	12.0	13.0	70.0
UF20054	55.0	75.0	12.0	13.0	74.0
UF20055	55.0	80.0	15.0	16.0	79.0
UF20056	56.0	72.0	12.0	13.0	71.0
UF20057	56.0	76.0	12.0	13.0	75.0
UF20058	58.0	78.0	12.0	13.0	77.0
UF20059	60.0	71.0	7.0	8.0	70.0
UF20060	60.0	80.0	12.0	13.0	79.0
UF20061	62.0	82.0	12.0	13.0	81.0
UF20062	63.0	83.0	12.0	13.0	82.0
UF20063	65.0	85.0	12.0	13.0	84.0
UF20064	67.0	87.0	12.0	13.0	86.0
UF20065	70.0	90.0	12.0	13.0	89.0
UF20066	71.0	80.0	6.0	7.0	79.0
UF20067	71.0	91.0	12.0	13.0	90.0
UF20068	75.0	95.0	12.0	13.0	94.0
UF20069	80.0	100.0	12.0	13.0	99.0
UF20071	85.0	100.0	9.0	10.0	99.0
UF20072	85.0	105.0	12.0	13.0	103.0
UF20073	90.0	110.0	12.0	13.0	108.0
UF20075	95.0	115.0	12.0	13.0	113.0
UF20078	100.0	120.0	12.0	13.0	118.0
UF20079	100.0	125.0	15.0	17.0	123.0
UF20080	102.0	114.0	11.0	12.0	112.0
UF20081	105.0	125.0	15.0	17.0	123.0
UF20084	110.0	130.0	15.0	17.0	128.0
UF20086	115.0	135.0	15.0	17.0	133.0
UF20089	120.0	140.0	15.0	17.0	138.0

CODE	d (mm)	D (mm)	H	H1	Da
UF20090	125.0	145.0	15.0	17.0	143.0
UF20091	130.0	150.0	15.0	17.0	148.0
UF20093	135.0	155.0	15.0	17.0	153.0
UF20095	140.0	160.0	15.0	17.0	158.0
UF20097	145.0	165.0	15.0	17.0	158.0
UF20098	150.0	170.0	15.0	17.0	168.0
UF20099	150.0	175.0	15.0	17.0	173.0
UF20101	160.0	185.0	15.0	17.0	183.0
UF20102	165.0	190.0	15.0	17.0	188.0
UF20103	170.0	195.0	15.0	17.0	193.0
UF20104	175.0	200.0	15.0	17.0	198.0
UF20105	180.0	205.0	15.0	17.0	203.0
UF20106	185.0	210.0	15.0	17.0	208.0
UF20107	190.0	215.0	15.0	17.0	213.0
UF20109	200.0	225.0	15.0	17.0	223.0
UF20110	200.0	225.0	18.0	20.0	223.0