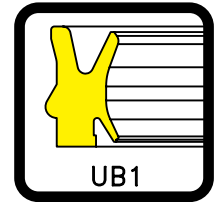
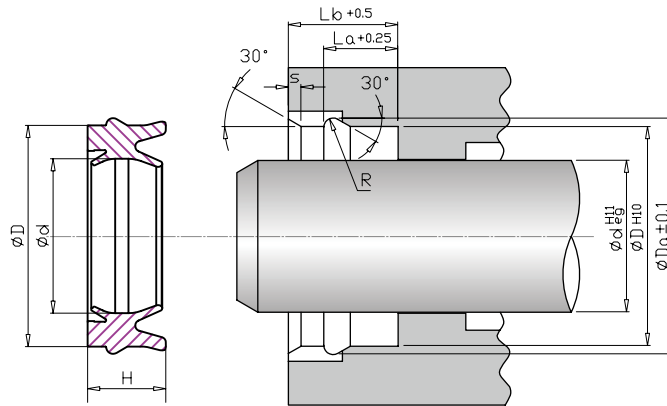


UB1 Series

Rod Wiper Seal



ESTER TPU 95 PHYSICAL PROPERTIES				
Working Pressure: ≤ 1.6 Mpa			Hardness	95 Shore A DIN53505
Working Temperature: $-35^\circ\text{C} \sim +80^\circ\text{C}$				95 Shore A ASTM D2240
Surface Speed: ≤ 1.0 m/s			Tensile Strength	50 Mpa DIN53504
				7252 psi ASTM D-412
Abrasion Resistance	35mm ³	DIN53516	Elongation	515 % DIN53504
Compression Set	27.5%	DIN53517		515 % ASTM D-412
24 hrs @ 70 °C	27.5%	ASTM D-395	Tear Strength	140 N/mm DIN53515
Specific gravity	1.18 g/cm ³	DIN53479		799 pli ASTM D-624
	1.18 g/cm ³	ASTM D-972	Standard Compound	KC9502AN / KC9502AG
			Color	Gray ● / Green ●

CODE	d (mm)	D (mm)	H (mm)	Da	La	Lb	R	s
UB11219	12	19	10.0	21.0	7.7	12	1.0	1.5
UB11220	12	20	10.7	22.0	8.8	13	1.1	1.5
UB11222	12	22	10.7	24.0	8.8	13	1.1	1.5
UB11424	14	24	10.7	26.0	8.8	13	1.1	1.5
UB11626	16	26	10.7	28.0	8.8	13	1.1	1.5
UB11826	18	26	10.7	28.0	8.8	13	1.1	1.5
UB11828	18	28	10.7	30.0	8.8	13	1.1	1.5
UB12030	20	30	10.7	32.0	8.8	13	1.1	1.5
UB12232	22	32	11.2	34.5	9.4	14	1.4	2.0
UB12535	25	35	11.2	37.5	9.4	14	1.4	2.0
UB13040	30	40	11.2	42.5	9.4	14	1.4	2.0
UB13242	32	42	11.2	44.5	9.4	14	1.4	2.0
UB14050	40	50	11.2	52.5	9.4	14	1.4	2.0
UB14555	45	55	12.2	58.2	10.4	15	1.8	2.0
UB15060	50	60	12.2	63.2	10.4	15	1.8	2.0
UB16375	63	75	13.0	78.2	11.4	16	1.8	2.0